

SGD

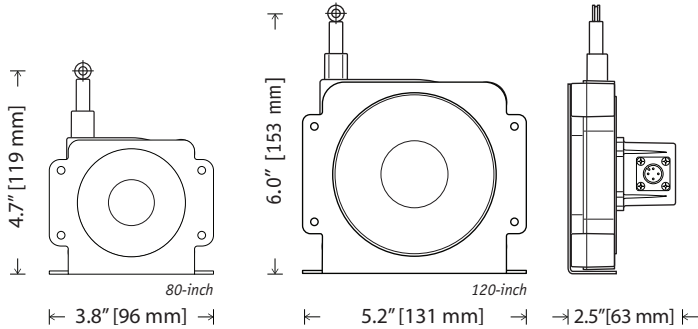
Low Cost, Compact Mid-Range String Pot

User Selectable Output: 4–20mA or 0–10 Vdc

Absolute Linear Position • Polycarbonate Enclosure

80, 120-inch Stroke Range Options • IP67

In Stock for Quick Delivery



SPECIFICATIONS

Stroke Range	80 inches (2032 mm), 120 inches (3048 mm)
User Selectable Output Signal	4...20 mA (2-wire) / 0...10 Vdc
Input Voltage, 4...20 mA option	8-40 VDC
Input Voltage, 0...10 Vdc option	12-32 VDC
Accuracy	.35% FS.
Repeatability	.05% FS.
Resolution	essentially infinite
Measuring Cable	.019-inch dia. nylon-coated stainless steel
Maximum Acceleration	10 g
Measuring Cable Tension	9 oz. (2,5 N) ±30%
Sensor	plastic-hybrid precision potentiometer
Cycle Life	≥ 250,000
Electrical Connection	M12 connector (mating plug included)
Enclosure	glass-filled polycarbonate
Environmental	IP 67
Operating Temperature	0° to 160° F (-18° to 70° C)
Weight (not including bracket)	.6 lbs (272 g)



Suited for IP67 (wet) environments, the SGD provides a user-selectable 4-20mA or 0-10VDC absolute linear position signal over an 80-inch or 120-inch full stroke range option. Signal selection is simply made by connecting the appropriate pins on the included connector or selecting the proper wires in the optional cordset.

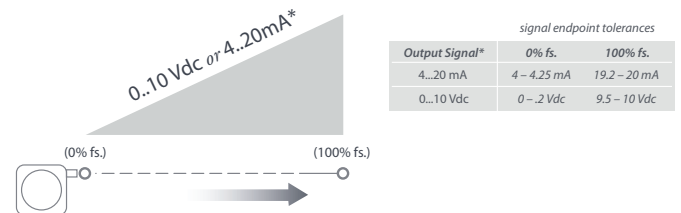
Additionally, this sensor is constructed with a rugged polycarbonate body, an extremely durable spring-loaded stainless steel measuring cable and a mounting bracket that lets the customer mount this sensor in just about any direction. The SGD is in stock for quick delivery.

Customized options are also available for OEM customers.

ORDERING INFORMATION

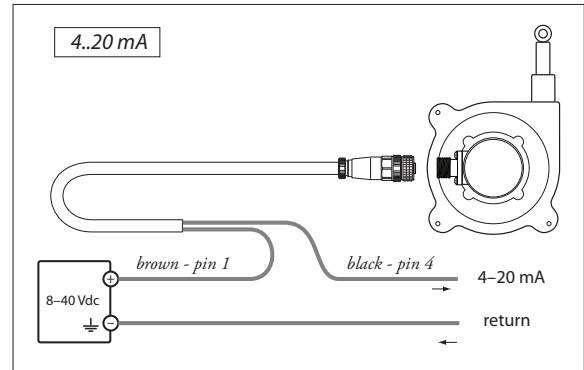
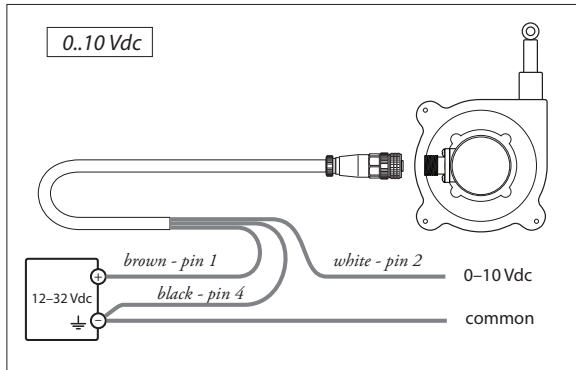
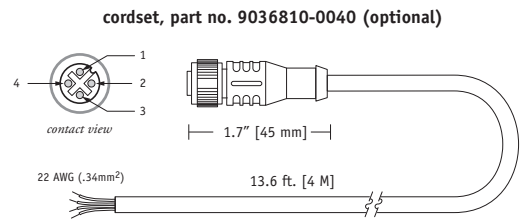
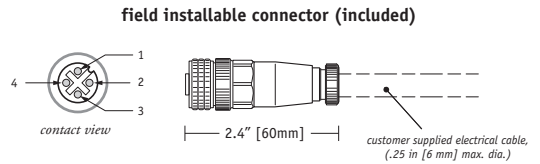
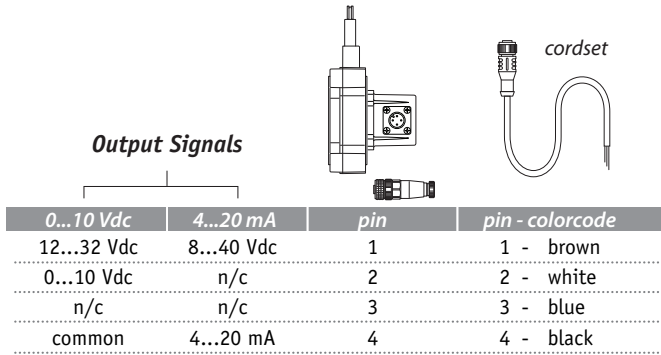
	Part No. SGD-80-3	Part No. SGD-120-3
	80-inch stroke range, 4–20 mA / 0–10 Vdc output M12 connector, IP67 environments, mounting bracket included	120-inch stroke range, 4–20 mA / 0–10 Vdc output M12 connector, IP67 environments, mounting bracket included
	Optional Cordset	Part No. 9036810-0040
	4-pin M12 connector 13 ft (4 m) 22 AWG (.34mm ²)	for short-run connections, a convenient optional 13-ft. cordset with a 4-pin M12 connector is available for the SGD-80-3 and SGD-120-3.

Output Signal:

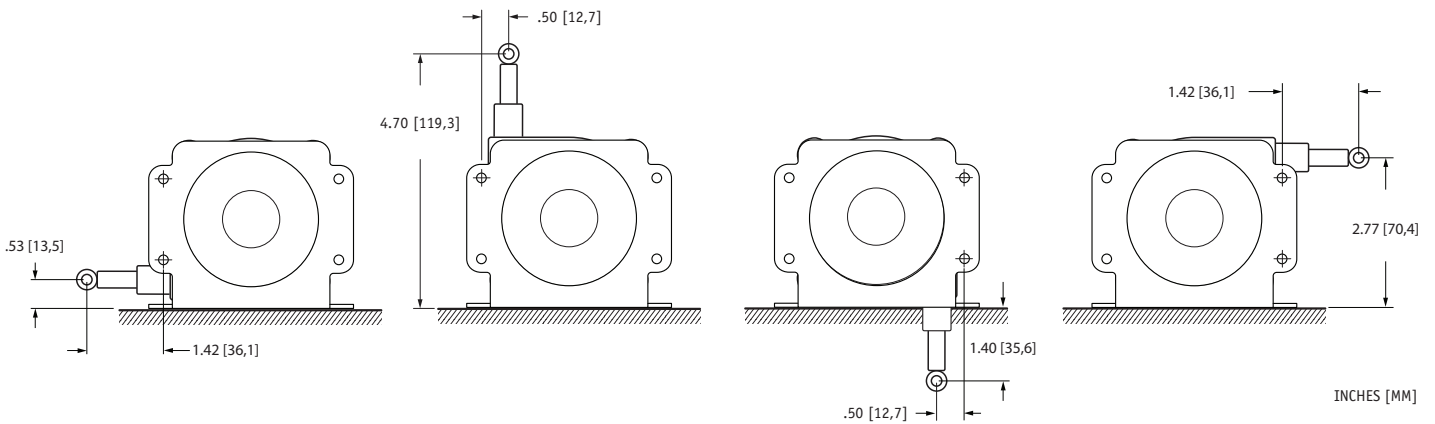


*note: signal endpoints are set at the time of manufacture and cannot be adjusted

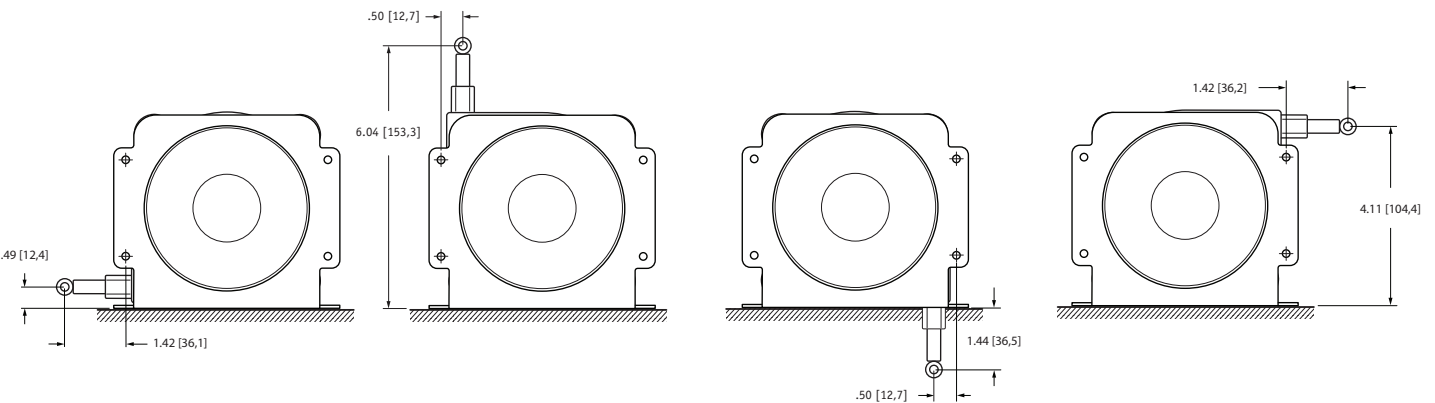
Electrical Connection:



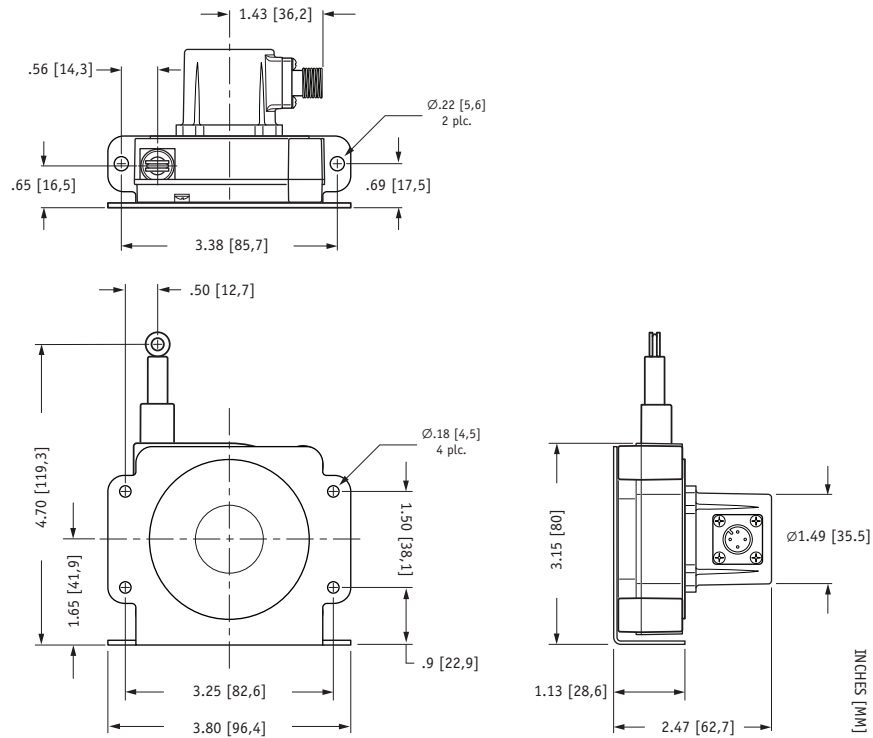
Mounting Options (SGD-80-3):



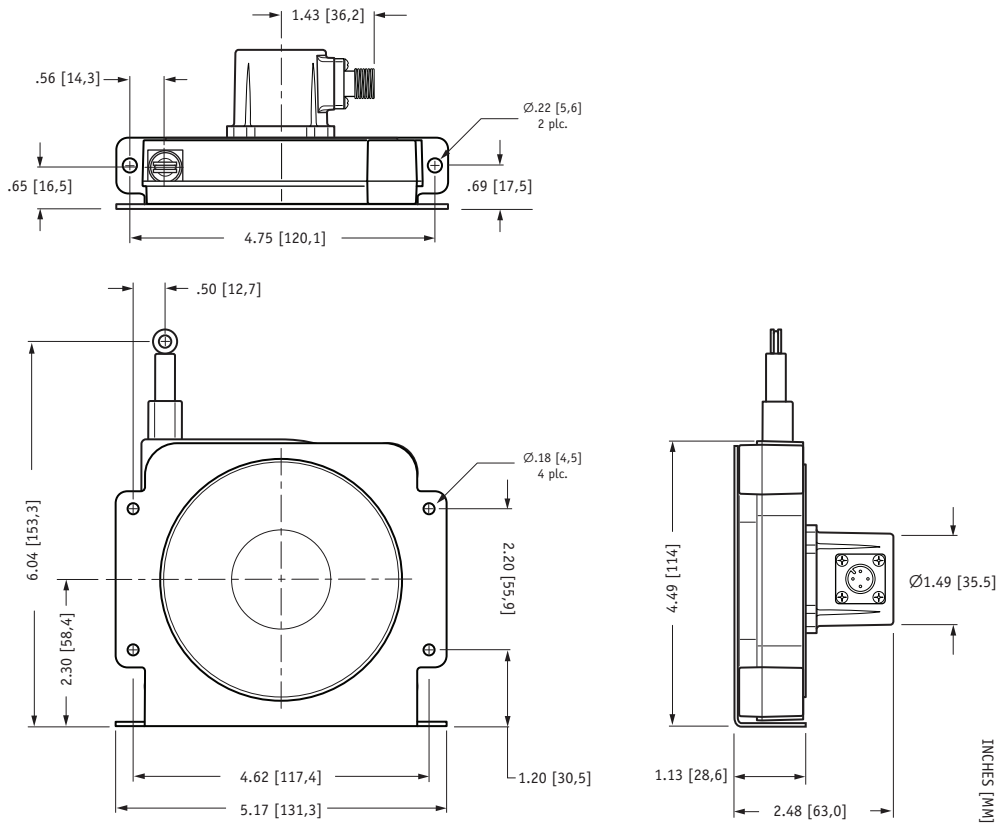
Mounting Options (SGD-120-3):



SGD-80-3 w/ Mounting Bracket:



SGD-120-3 w/ Mounting Bracket:



version: 2.0 last updated: May 22, 2012