

CLWG

Linear Potentiometer

Absolute Linear Position to 30 inches (750 mm)
3K - 10K ohms • High Cycle Applications
Industrial Automation, Test and Robotics Applications
IP65 Protection • M12 Connector

General

Full Stroke Ranges	0-3 to 0-30 in. (0-75 to 0-750 mm)
Output Signal	voltage divider (potentiometer)
Linearity	.04% to .1%, see ordering information
Repeatability	< 0.01 mm
Resolution	essentially infinite
Life Expectancy	50 million cycles
Enclosure Material	aluminum
Sensor	conductive plastic linear potentiometer
Operating Speed	200 inches (5 M) per second, max.

Electrical

Input Resistance	5K to 10K ohms ($\pm 20\%$), see order code
Recommended Maximum Input Voltage	25-30 V(AC or DC)
Recommended Operating Wiper Current	$\leq 1 \mu\text{A}$

Environmental

Enclosure Design	IP65
Operating Temperature	-22° to 212°F
Vibration	up to 10 g to 2000 Hz maximum

Developed specifically for a wide range of demanding applications, our CL series position transducers offer unrivalled performance in terms of accuracy, repeatability, life expectancy and ease of mounting. Such applications include industrial automation, automotive and robotics.

The CLWG uses a twin-bearing actuating rod, backlash-free pivot heads and a superior wiper system to provide outstanding linearity and performance.

Ordering Information

Model Number:

CLWG - _____ - _____
order code: **R** **A**

Sample Model Number:

CLWG - 75 - NC4

R range: 3 inches [75 mm]

A electrical connection: 4-pin, 90° M12 cordset

Full Stroke Range:

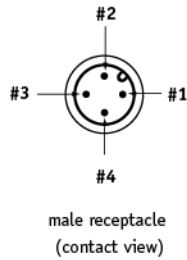
R <i>order code:</i>	75	100	150	225	300	360	450	500	600	750
measurement range, in. [mm]:	3[75]	4[100]	6[150]	9[225]	12[300]	14[360]	18[450]	20[500]	24[600]	30[750]
resistance, (±20%):	3K	3K	5K	5K	5K	5K	5K	5K	5K	10K
linearity, %:	0.1%	0.1%	0.08%	0.07%	0.06%	0.05%	0.05%	0.05%	0.05%	0.04%

Electrical Connection:

A *order code:*

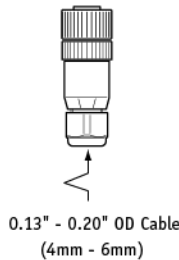
blank

4-pin M12 connector
 (no mating plug supplied)



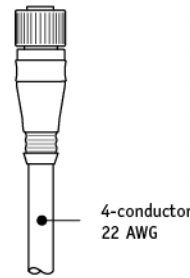
MC4

4-pin M12 connector
 w/ mating plug



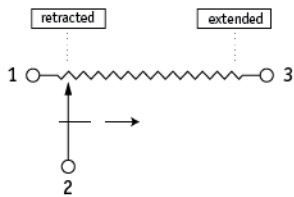
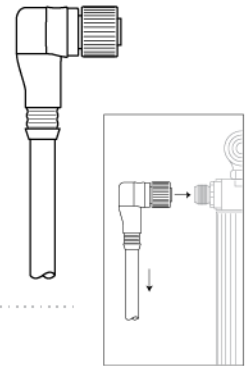
SC4

4-pin M12 connector
 and 4 meter length cordset
 w/straight mating plug



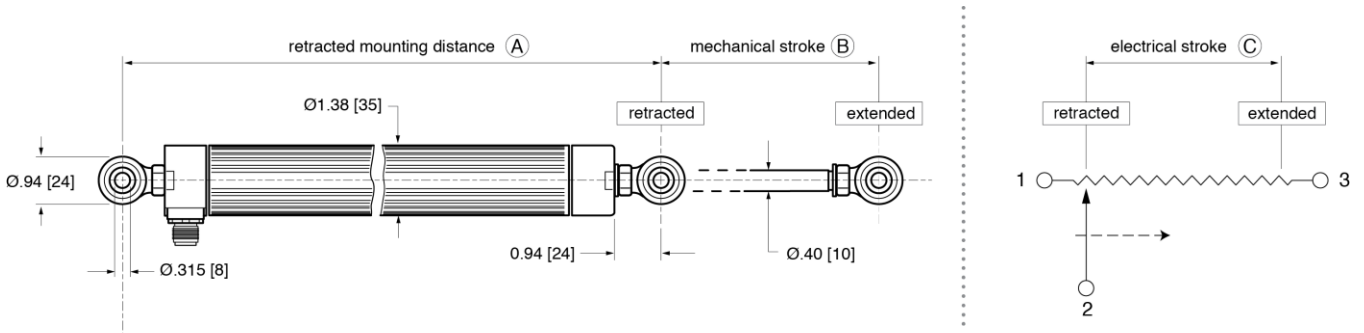
NC4

4-pin M12 connector
 and 4 meter length cordset
 w/90° mating plug



Pin#	Cordset Wire Color
1	BROWN
2	WHITE
3	BLUE
4	BLACK

Outline Drawing



All DIMENSIONS ARE IN INCHES [MM]

Measurement Range	3	4	6	9	12	14	18	20	24	30	in	mm										
A	9.72	10.75	12.72	15.75	18.74	21.69	26.18	28.74	33.70	40.94	in	247	273	323	400	476	551	665	730	856	1040	mm
B	3.11	4.13	6.10	9.09	12.09	14.49	18.11	20.08	24.09	30.07	± 0.02 in	79	105	155	231	307	368	460	510	612	764	± 2 mm
C	2.99	4.01	5.98	8.98	11.97	14.41	17.99	20.00	24.02	30.00	in	76	102	152	228	304	366	457	508	610	762	mm

NORTH AMERICA

Measurement Specialties, Inc.,
 a TE Connectivity company
 20630 Plummer Street
 Chatsworth, CA 91311
 Tel +1 800 423 5483
 Tel +1 818 701 2750
 Fax +1 818 701 2799
 info@celesco.com

TE.com/sensorsolutions

Measurement Specialties, Inc., a TE Connectivity company.

Measurement Specialties, TE Connectivity, TE Connectivity (logo) and EVERY CONNECTION COUNTS are trademarks. All other logos, products and/or company names referred to herein might be trademarks of their respective owners.

The information given herein, including drawings, illustrations and schematics which are intended for illustration purposes only, is believed to be reliable. However, TE Connectivity makes no warranties as to its accuracy or completeness and disclaims any liability in connection with its use. TE Connectivity's obligations shall only be as set forth in TE Connectivity's Standard Terms and Conditions of Sale for this product and in no case will TE Connectivity be liable for any incidental, indirect or consequential damages arising out of the sale, resale, use or misuse of the product. Users of TE Connectivity products should make their own evaluation to determine the suitability of each such product for the specific application.

© 2015 TE Connectivity Ltd. family of companies All Rights Reserved.

CLWG 12/01/2015