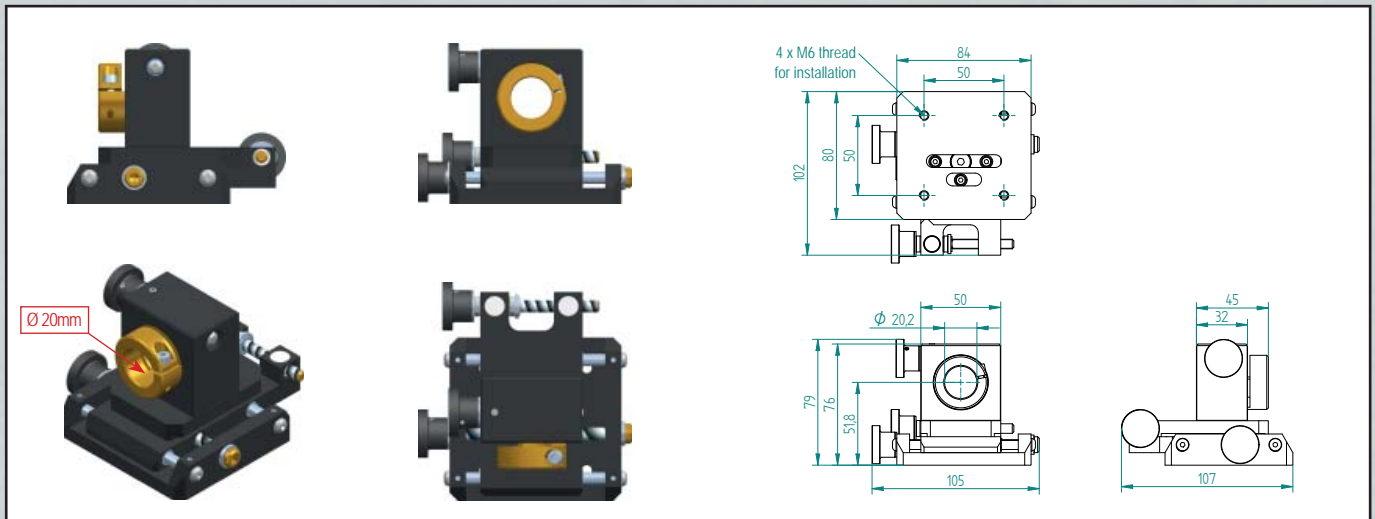


## MXYZ-20B Precision mount

for lasers with  $\varnothing$  20mm

- Aluminium mount for all  $\varnothing$  20mm lasers
- coaxially pivotable, 360°
- angle adjustable up to 20°
- parallelly shiftable up to 20mm
- maintenance-free
- free of play
- self-locking



### General specifications

Housing:	105mm x 107mm x 79mm (L, W, H)
Material:	Anodised aluminium
Special feature:	The mount can be adjusted in 3 axes. No tools are necessary for alignment setup.
More feature:	The base plate of the mount has 4 threaded holes, through which the mount can be installed.

Technical data:	Symbol	Unit	Min	Typ	Max
Length	l	mm	104,5	105	105,5
Width	w	mm	106,5	107	107,5
Height	h	mm	78,5	79	79,5
Axial angle	$\alpha$	°		360	
Parallel adjustment	x	mm		+/- 9	
Tilting angle	$\varphi$	°		+/- 8	
Positioning accuracy angle		mrad		0,5	
Positioning accuracy parallel		mm		0,1	
Position accuracy		mrad		0,5	